

# MORCLEAN<sup>®</sup>



# silt<sup>tm</sup> GUARD

Silt and traps



The build-up of silt and dirt from vehicles is a major problem particularly from vehicle wash facilities and the **silt guard** is designed to effectively trap the silt before it enters the drainage system.

The **silt guard** is an extremely robust range of silt traps that can be installed in granular surround if required. The range features two smaller silt traps at 275 litre and 450 litres silt retention and a larger 1000 litre unit. All the units are supplied with a D400 Heavy Duty open grating for surface water catchment from vehicle wash bays and hard standing areas.

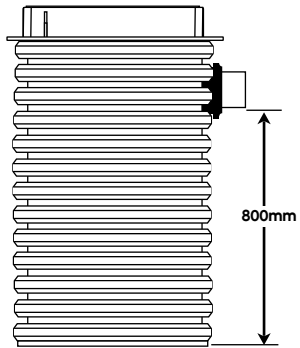
For larger silt traps and catch pits please ask for more details.

## Features & Design

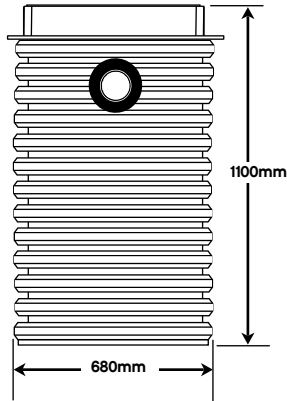
- Designed in accordance to PPG13 & PPG3
- 250, 450 and 1000 litres models
- Supplied with removable D400 loading grating
- Super 'Heavy Duty' bodies
- Minimal granular surround installation
- Corrosion Free - 50 year plus life expectancy
- Designed and manufactured totally in the UK

**GUARDING** YOUR DRAINAGE SYSTEMS

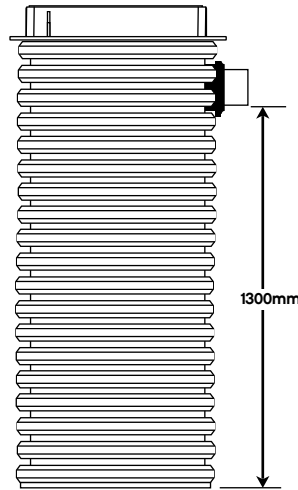
SS2 - 275 litre unit



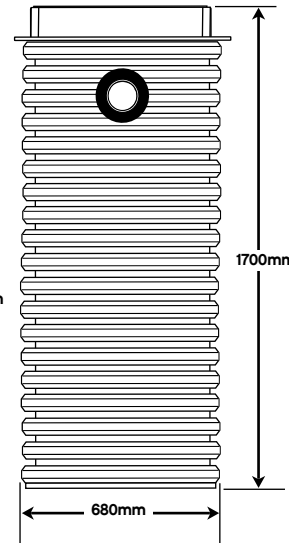
600mm x 600mm  
D400 loading  
Grate and Frame



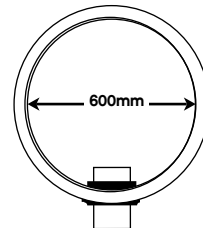
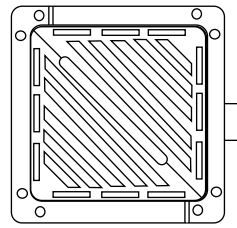
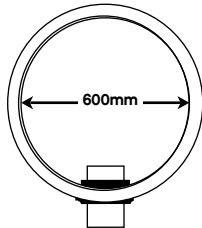
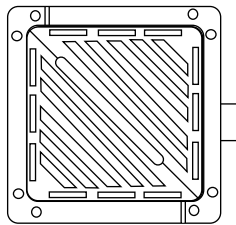
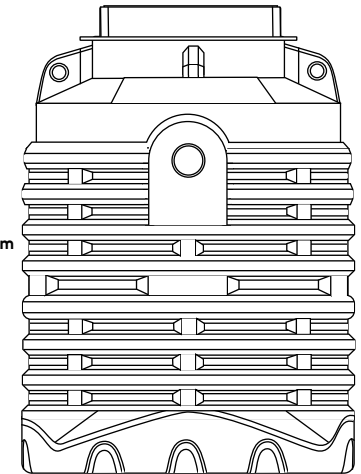
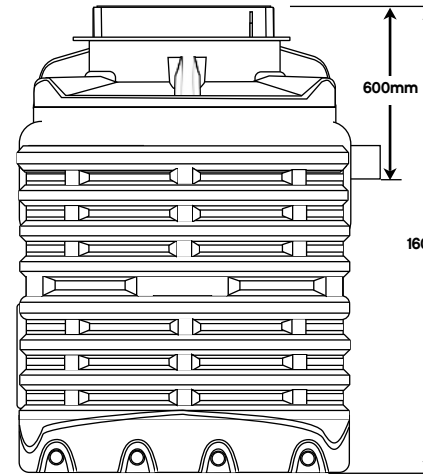
SS3 - 450 litre unit



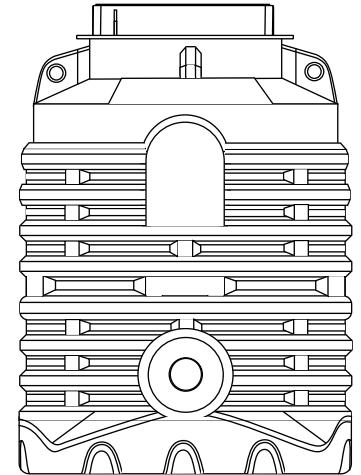
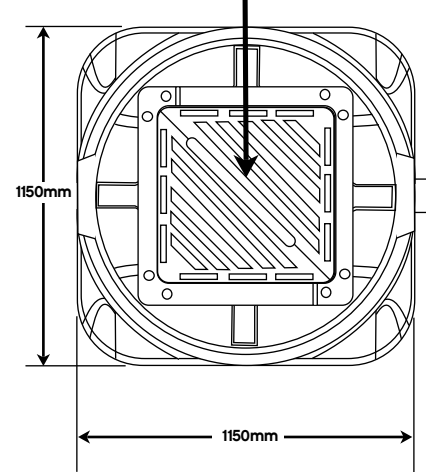
600mm x 600mm  
D400 loading  
Grate and Frame



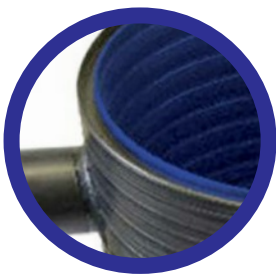
SS3 - 1000 litre unit



600mm x 600mm  
D400 loading  
Grate and Frame



Please Note : Standard Pipework 110mm



# MORCLEAN

Morclean Ltd, Speedwell Industrial Estate,  
Stephenson Road, Staveley, Chesterfield, S43 3JN.

Email: [info@morclean.com](mailto:info@morclean.com)

Tel: 01246 471147

Fax: 01246 471277